

Valves / Safety Vents / Water Boiler Safety Valves

CONSTRUCTIVE PROPERTIES

	STANDARD	OPTIONAL
Discharge Connection	G 1/2" B	-
Tension Spring	Stainless Steel	-
Installation Connection	G 1/2" B	-

USAGE PROPERTIES

Storage Temperature	-20 ... +60 °C	-
Conformity	CE 0036	-
Max. Water Temp.	110 °C	-
Max. Pressure	16 bar	-

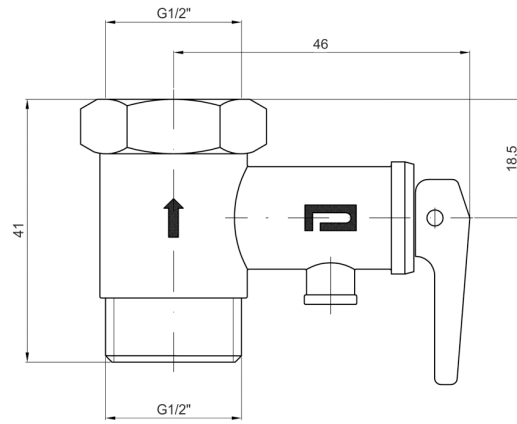


0973

Water Boiler Safety Valves

www.Laheghi.com

Valves / Safety Vents / Water Boiler Safety Valves

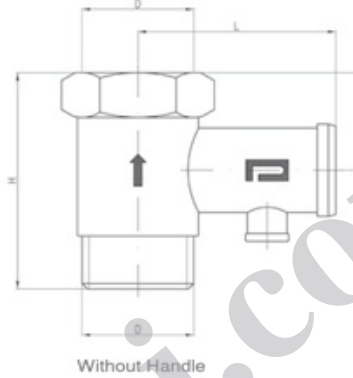


Model No: 0973

www.Laheghi.com

Security Valves

▶ Security Valve for Water Heaters



Connection Sizes							
	Pressure	Code #	D	H	h	L	Kg
With Handle	7	0973110700	G 1/2"	41	18,5	46	0,080
	9	0973110900	G 1/2"	41	18,5	46	0,080
	11	0973111100	G 1/2"	41	18,5	46	0,080
Without Handle	7	0973010700	G 1/2"	41	18,5	37	0,077
	9	0973010900	G 1/2"	41	18,5	37	0,077
	11	0973011100	G 1/2"	41	18,5	37	0,077